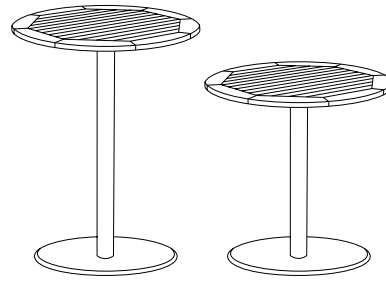
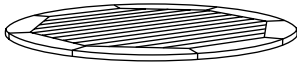


TRAVIRA PEDESTAL & POST TABLES
ASSEMBLY INSTRUCTIONS

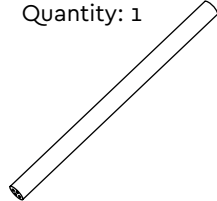


COMPONENTS

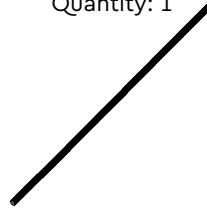
① Table Top Assembly
Quantity: 1



② Pedestal Post
Quantity: 1



③ Rod
Quantity: 1



④ Pedestal Base
Quantity: 1



HARDWARE

A Hex Nut
Quantity: 1



B Locking Hex Nut
Quantity: 1



C Flat Washer
Quantity: 1



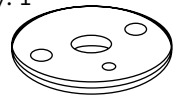
D Lock Washer
Quantity: 1



E Stud
Quantity: 2



F Plastic Grommet
Quantity: 1

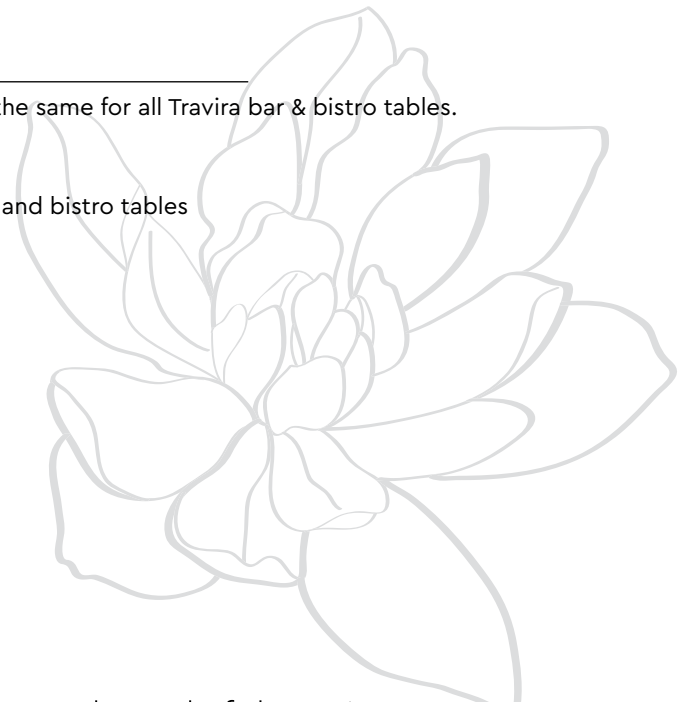


NOTES

Table top, post and or base may vary from illustrations but the assembly is the same for all Travira bar & bistro tables.

17" base fits 24" table tops and 32" round bistro tables.

23" base fits 32" round and square bar tables and 36" round and square bar and bistro tables



Thoughtful Design **MADE RIGHT**

INSTRUCTIONS

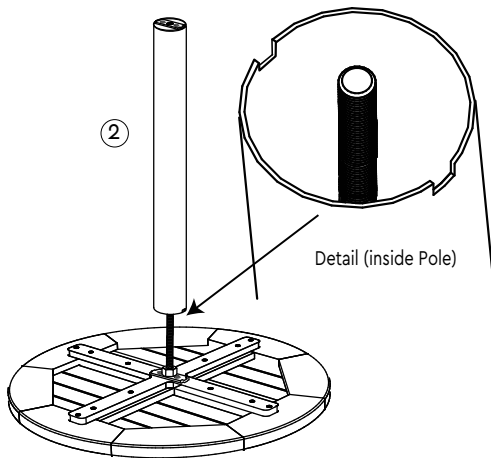
STEP 1

Thread one of the hex nut **A** onto one end of rod **3** about one inch.



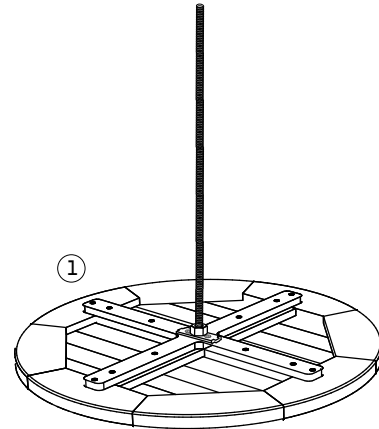
STEP 3

Slide pedestal post **2** over the rod and align notches with small plate on bottom of table as shown.



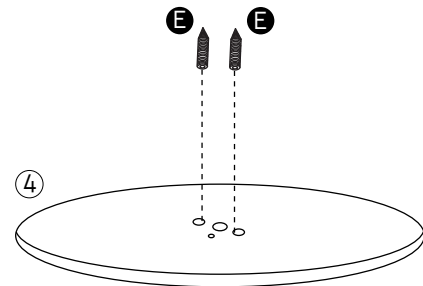
STEP 2 (detail)

Thread rod into table top **1** snugly until you feel it hit the table top. NOTE: Do not over tighten in this step. Once you feel the rod is snug, reverse the rod about one half a turn. Tighten hex nut securely with wrench.



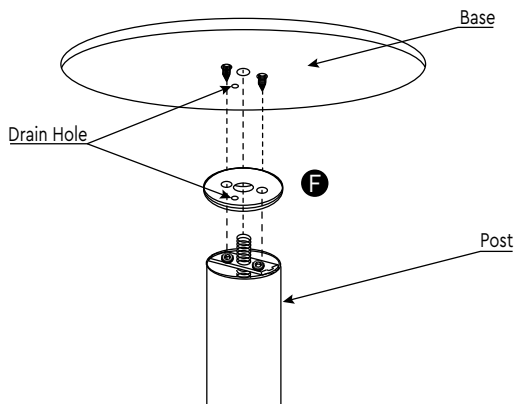
STEP 4

Next, thread the studs **E** into the base **4** with the flat head facing down and pointed head facing up. NOTE: Thread the stud only until it is flush with the bottom of the base.



STEP 5

Place plastic grommet **F** over threaded rod aligning two holes with the holes in the post. NOTE: Align small drain with drain hole in base. Next, carefully place the pedestal base over the post making sure to line up the studs with the holes in the plate as shown.



STEP 6

Insert flat washer **C**, lock washer **D** and locking hex nut **B** over the rod and secure tightly using wrench.

