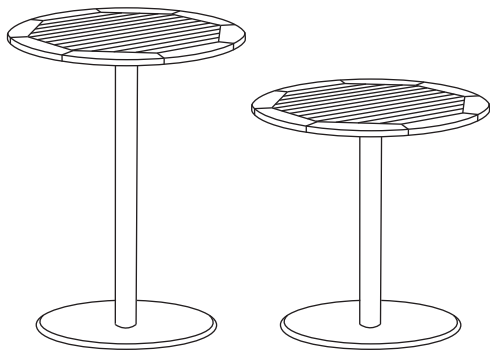
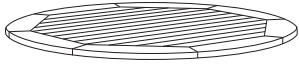


TRAVIRA PEDESTAL & POST TABLES  
ASSEMBLY INSTRUCTIONS

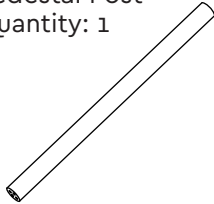


**COMPONENTS**

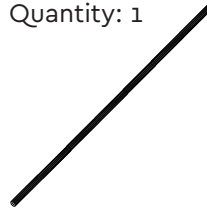
- ① Table Top Assembly  
Quantity: 1



- ② Pedestal Post  
Quantity: 1



- ③ Rod  
Quantity: 1



- ④ Pedestal Base  
Quantity: 1



**HARDWARE**

- A Hex Nut  
Quantity: 1



- B Locking Hex Nut  
Quantity: 1



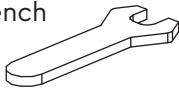
- C Flat Washer  
Quantity: 1



- D Stud  
Quantity: 2



- E Hex Head Wrench  
Quantity: 1



TOOLS NEEDED:  
Adjustable Wrench.

NOTE:  
Hex nut, locking hex nut and flat washer parts are packaged in pedestal post carton.  
Studs are packaged in base carton.

NOTE: Table top, post and or base may vary from illustrations but the assembly is the same for all Travira bar & bistro tables.

NOTE: 17" base fits 24" table tops and 32" round bistro tables.  
23" base fits 32" round and square bar tables and 36" round and square bar and bistro tables.

NOTE: Hardware pack may contain more hardware than what is needed to assemble.

For care instructions, please visit [oxfordgarden.com/furniture-product-care/](http://oxfordgarden.com/furniture-product-care/)



Thoughtful Design **MADE RIGHT**

## INSTRUCTIONS

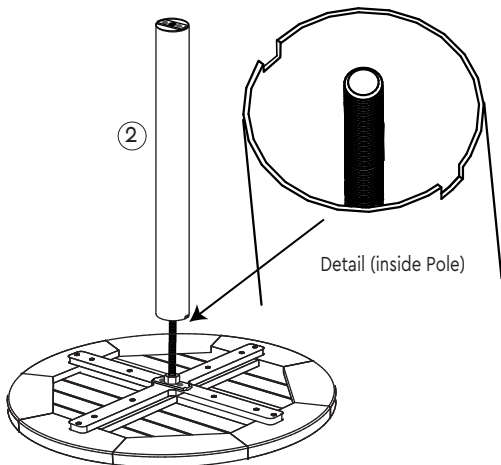
### STEP 1

Thread the hex nut **A** onto one end of the rod **3** about one inch.



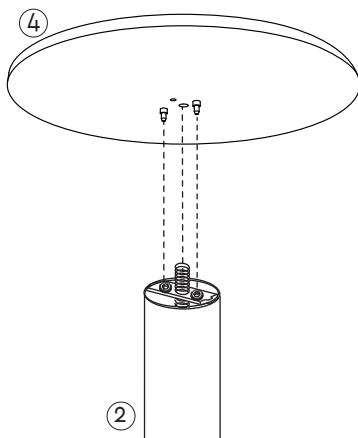
### STEP 3

Slide pedestal post **2** over the rod and align notches with small plate on bottom of table as shown.



### STEP 5

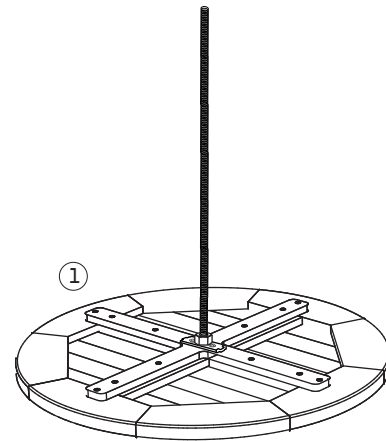
Next, carefully place the pedestal base over the post making sure to line up the studs with the holes in the plate as shown.



### STEP 2

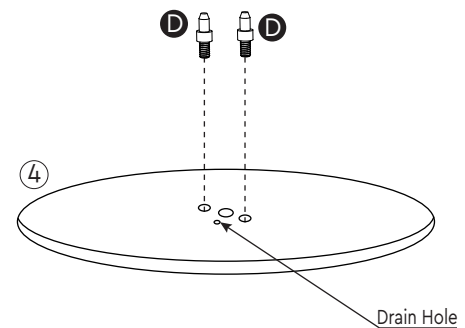
Thread rod into table top **1** until it touches the bottom of the table top.

NOTE: Do not over tighten in this step. Once the rod touches the bottom of the table top, reverse the rod one full turn. Tighten the hex nut securely with a wrench.



### STEP 4

Next, thread the studs **D** into the base **4**. Tighten the studs firmly using a wrench.



### STEP 6

Insert flat washer **C** and locking hex nut **B** over the rod and secure tightly using an adjustable wrench.

