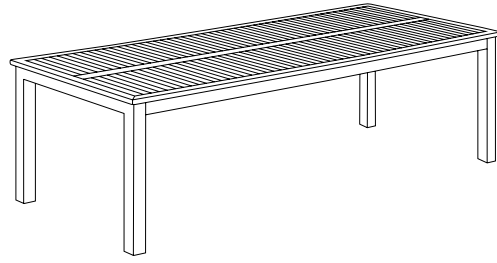
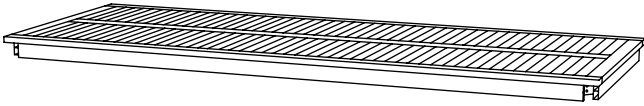


TRAVIRA 103" RECTANGULAR DINING TABLE
ASSEMBLY INSTRUCTIONS

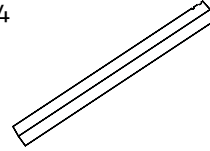


COMPONENTS

- ① Tabletop Assembly
Quantity: 1

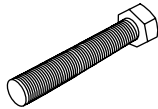


- ② Table Leg
Quantity: 4



HARDWARE

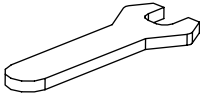
- A Bolt
Quantity: 8



- B Washer
Quantity: 8

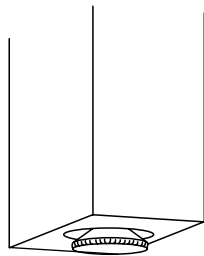


- C Hex Wrench
Quantity: 1

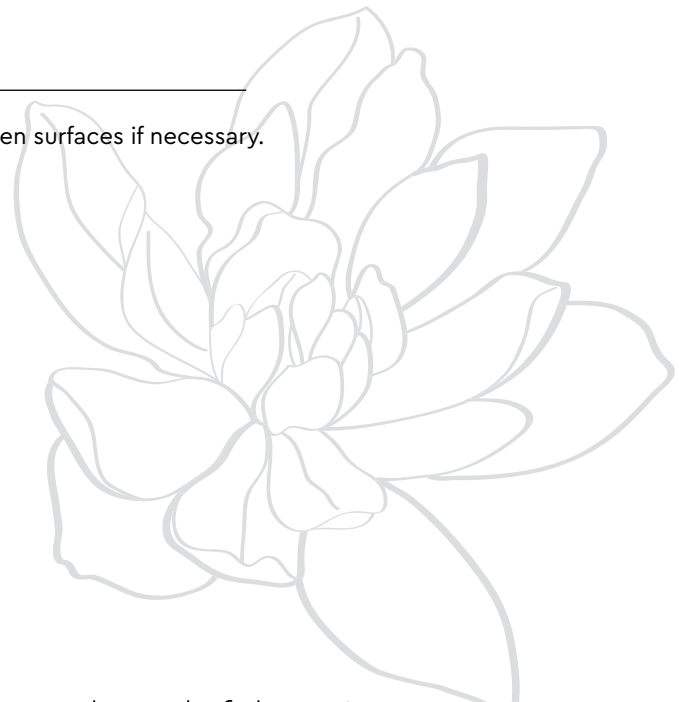


NOTES

Feet have adjustable height screws to allow the table to be leveled on uneven surfaces if necessary.



Adjustable Height Scre w Foot

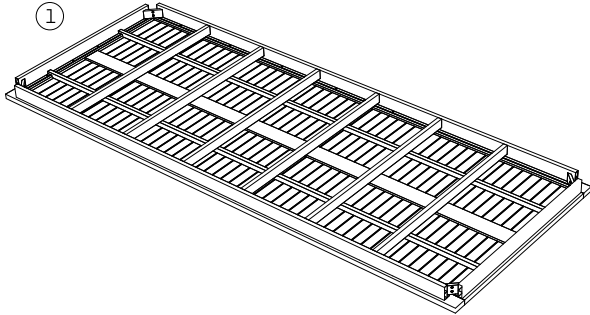


Thoughtful Design **MADE RIGHT**

INSTRUCTIONS

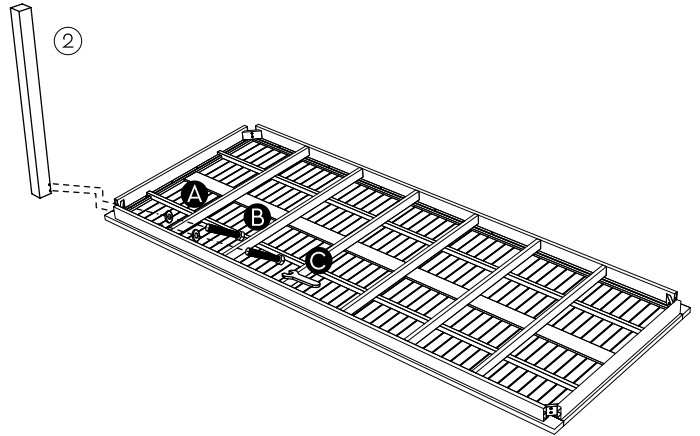
STEP 1

On a clean, flat surface, lay tabletop ① upside down

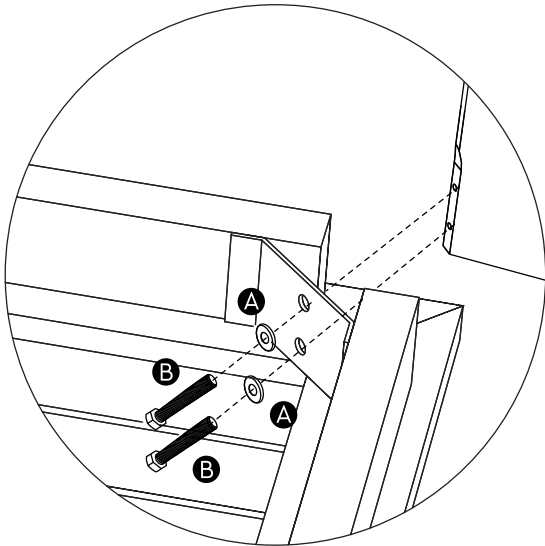


STEP 2

Using the provided wrench ③ secure table leg ② to the tabletop using a washer ④ and bolt ⑤. Repeat for the remaining 3 legs.



STEP 2 (detail)



STEP 3

Carefully turn assembled table in an upright position.

