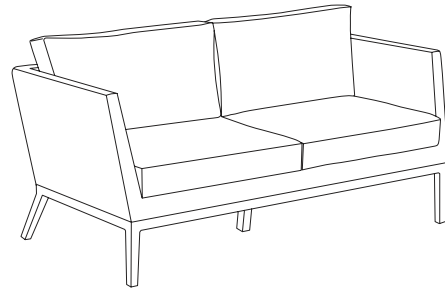


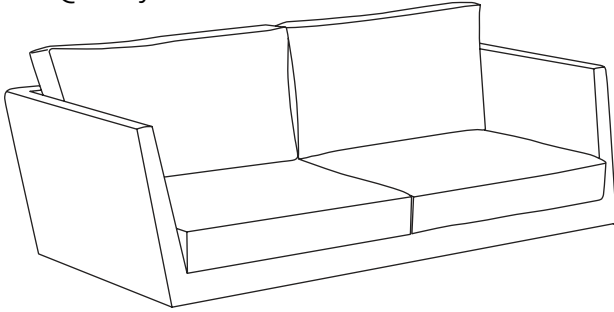
SALINO SOFA

ASSEMBLY INSTRUCTIONS

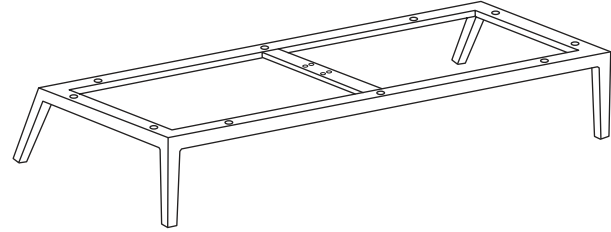


COMPONENTS

- ① Sofa Seat Assembly
Quantity: 1



- ② Sofa Leg Assembly
Quantity: 1

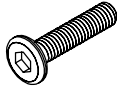


- ③ Center Support Leg
Quantity: 1



HARDWARE

- A Long Bolts
Quantity: 10



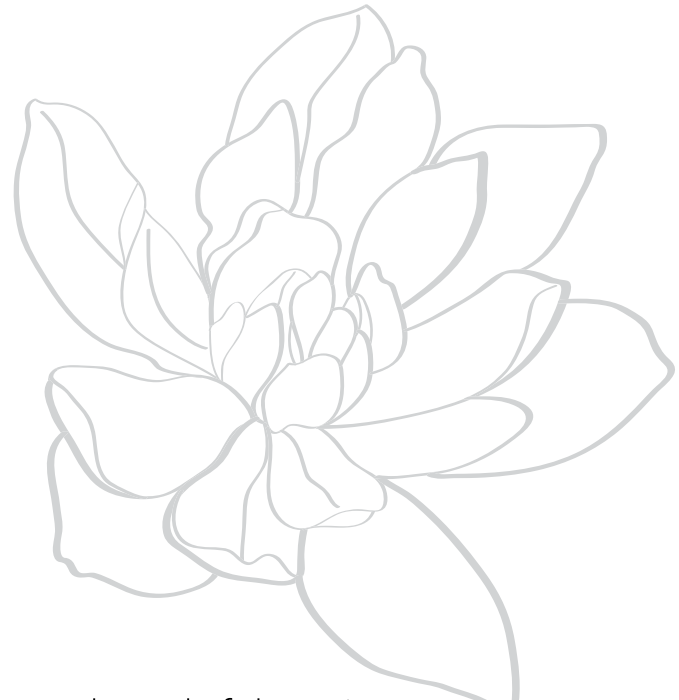
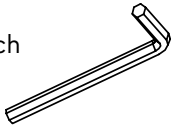
- B Short Bolts
Quantity: 4



- C Washers
Quantity: 14



- D Allen Wrench
Quantity: 1

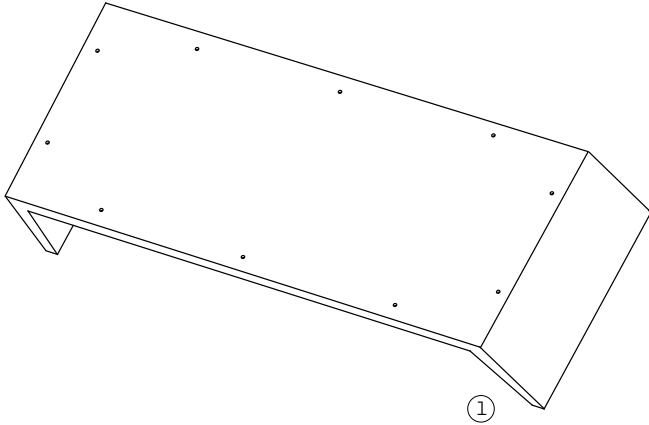


Thoughtful Design **MADE RIGHT**

INSTRUCTIONS

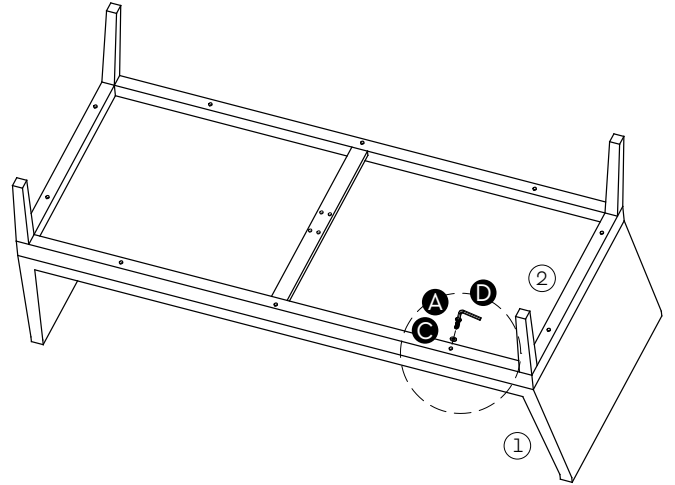
STEP 1:

Remove cushions from sofa and place Seat Assembly upside down ① on top of provided cardboard box or blanket to protect the surface of the loveseat while assembling.

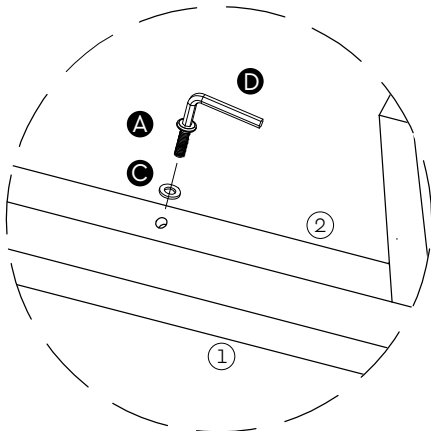


STEP 2:

Align Leg Assembly holes ② with Seat Assembly holes ①. Using the wrench provided, secure with 10 washers ③ and long bolts ④. NOTE: Leave long bolts slightly loose to help with alignment of the sofa seat assembly.

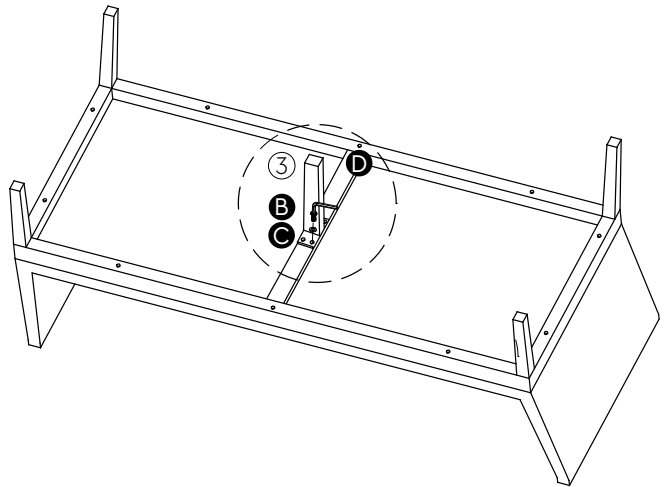


STEP 2 (detail):

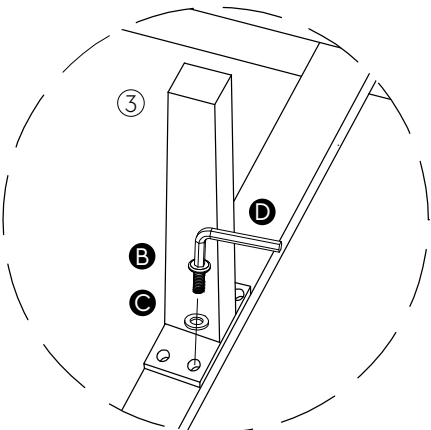


STEP 3:

Attach center support leg ③ to assembly with 4 washers ④ and short bolts ⑤. Tighten all bolts on base assembly.



STEP 3 (detail):



STEP 4:

Carefully turn assembled sofa in an upright position.

