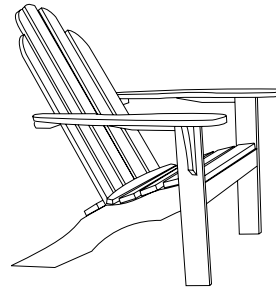


## OXFORD ADIRONDACK CHAIR - ADCHK ASSEMBLY INSTRUCTIONS



### COMPONENTS

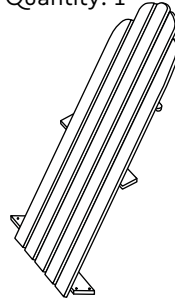
- ① Right Arm Assembly  
Quantity: 1



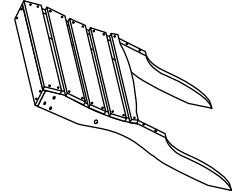
- ② Left Arm Assembly  
Quantity: 1



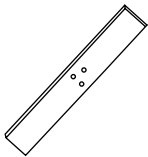
- ③ Back  
Quantity: 1



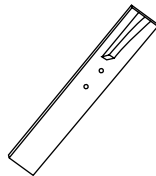
- ④ Seat Assembly  
Quantity: 1



- ⑤ Right Leg Assembly  
Quantity: 1

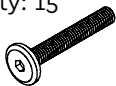


- ⑥ Left Leg Assembly  
Quantity: 1

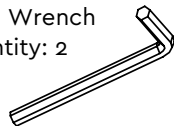


### HARDWARE

- A Bolts  
Quantity: 15



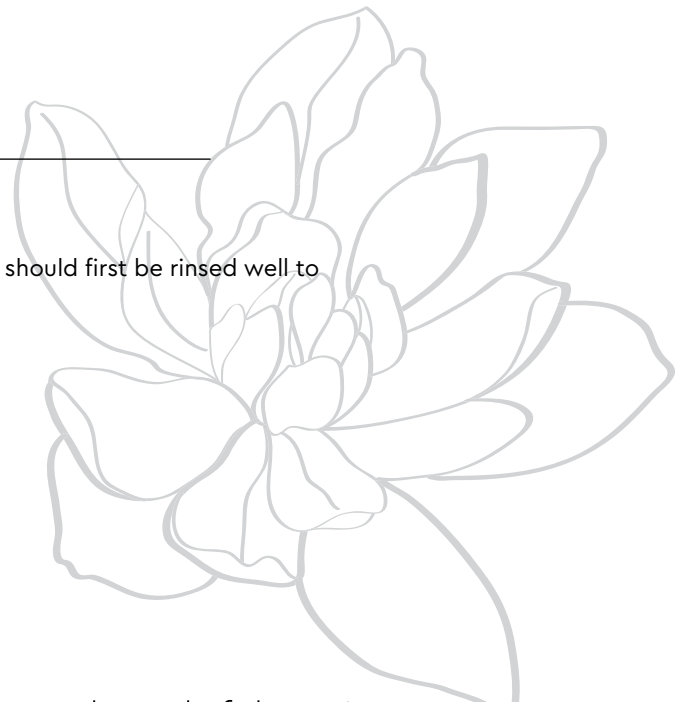
- B Allen Wrench  
Quantity: 2



### FINISHING ITEMS

Medium Grit Sandpaper

NOTE: If the furniture is going to be placed on a concrete or tile patio, it should first be rinsed well to remove the sawdust that may cause some staining.

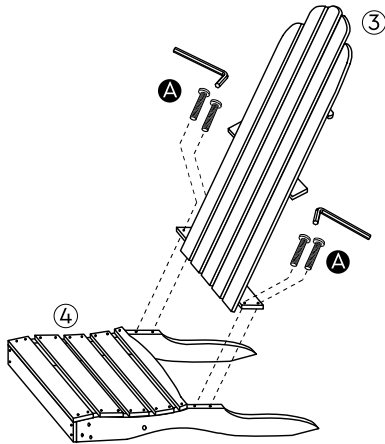


Thoughtful Design **MADE RIGHT**

## INSTRUCTIONS

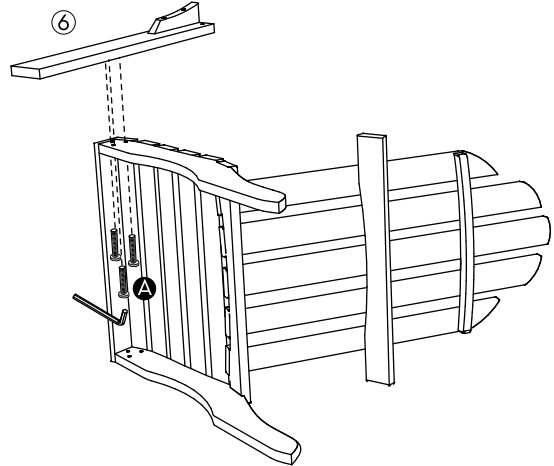
### STEP 1

On a clean flat surface, lay seat assembly ④ flat on the ground. Using 4 bolts, Ⓐ attach the back assembly ③ to the seat.



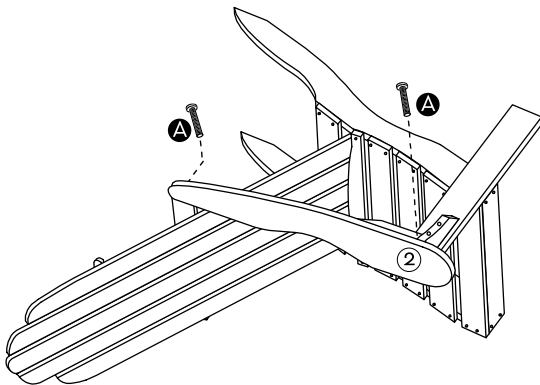
### STEP 2

Carefully lay the chair on its side. Using three bolts, attach one leg ⑥ to the seat assembly. (Leg will be positioned with the arm brace facing upward and to the front of the seat assembly.) NOTE: Leave bolts slightly loose to help with alignment of the sofa seat assembly.



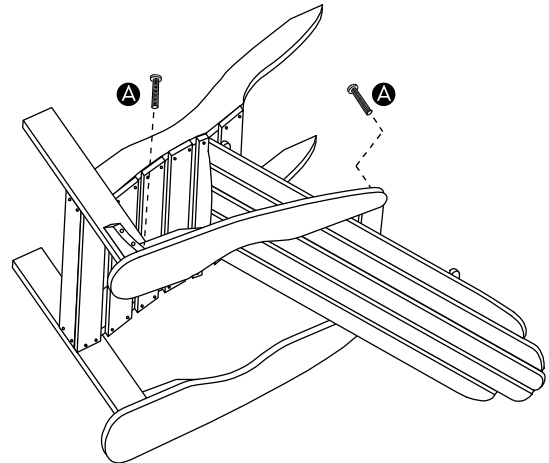
### STEP 3

Using two bolts, attach one arm ② to the leg and to the brace on the back assembly. (Arched cutout of the arms face inward.)



### STEP 4

Turn chair onto its other side. Repeat steps 2-3 to secure the other leg and arm.



### STEP 5

Using an allen wrench, completely tighten all screws. Using a medium grit sandpaper, quickly sand off any marks or stains. Sand to smooth off areas around the dowel pins. Enjoy!

