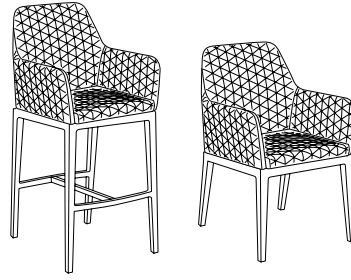


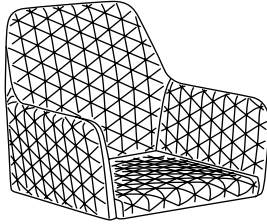
OLAND DINING & BAR CHAIRS

ASSEMBLY INSTRUCTIONS

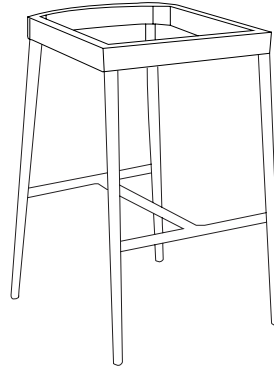


COMPONENTS

- ① Chair Back & Arm Assembly
Quantity: 1

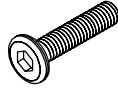


- ② Chair Seat & Leg Assembly
Quantity: 1

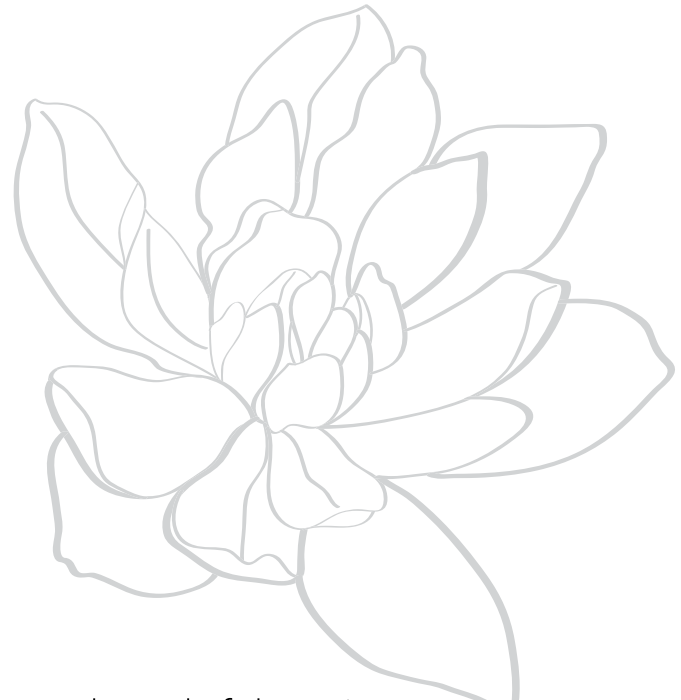
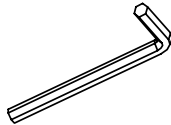


HARDWARE

- A Long Bolts
Quantity: 5



- B Allen Wrench
Quantity: 1

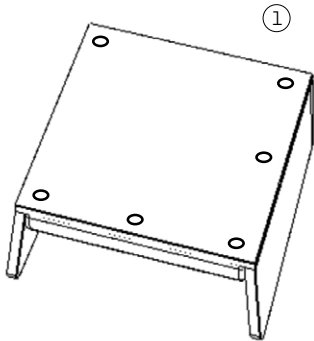


Thoughtful Design **MADE RIGHT**

INSTRUCTIONS

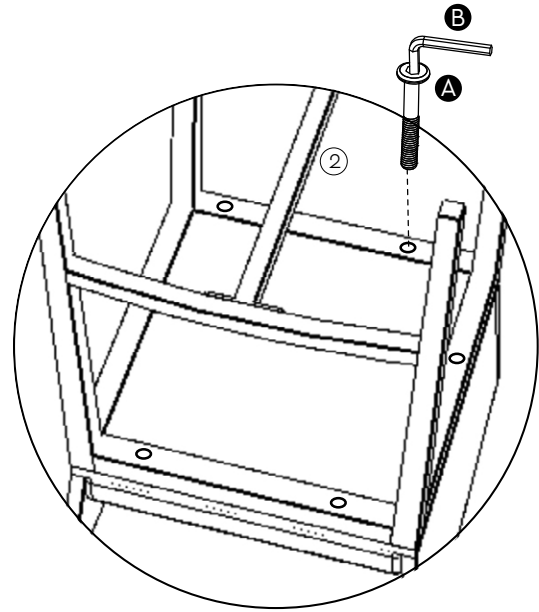
STEP 1:

Place Chair Back & Arm Assembly ① upside down on top of provided cardboard box or blanket to protect the surface of the chair while assembling.



STEP 2:

Align Chair Back & Arm Assembly ① with Chair & Leg Assembly ②. Using the wrench **B** provided, secure with bolts **A**. NOTE: Leave bolts slightly loose to help with alignment of the chair seat assembly.



STEP 3:

Carefully turn assembled Chair in an upright position.

