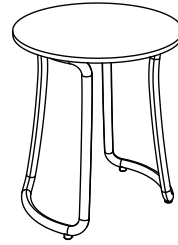


MULTI END TABLE

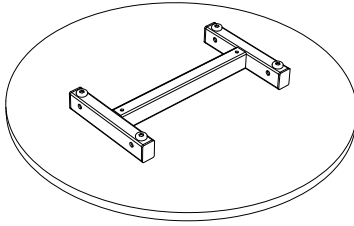
ASSEMBLY INSTRUCTIONS



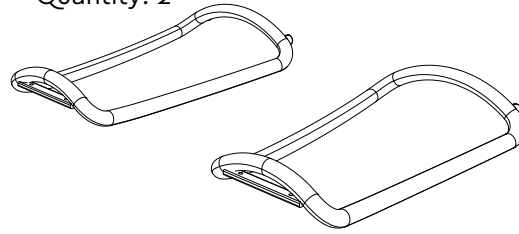
COMPONENTS

---

- ① Table Top Assembly  
Quantity: 1



- ② Table Legs  
Quantity: 2



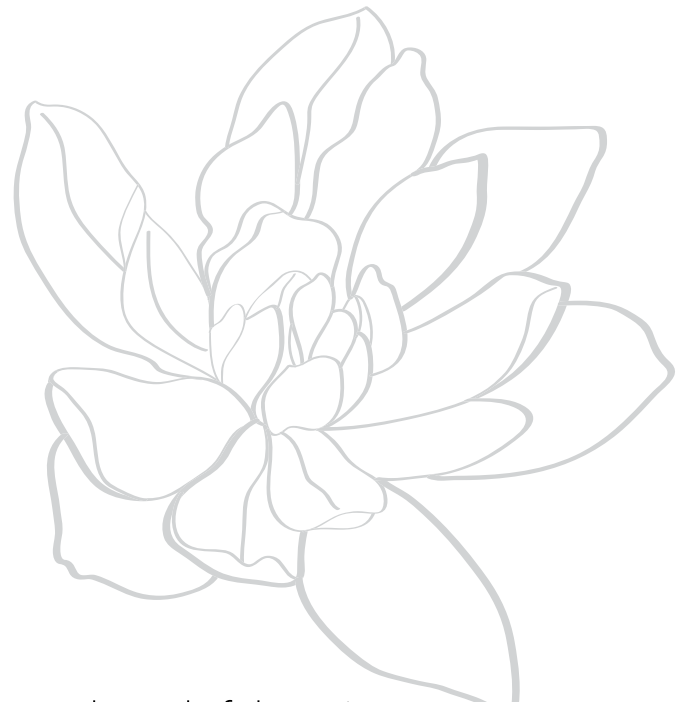
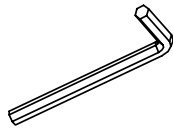
HARDWARE

---

- Ⓐ Machine Bolt  
Quantity: 4



- Ⓑ Allen Wrench  
Quantity: 1



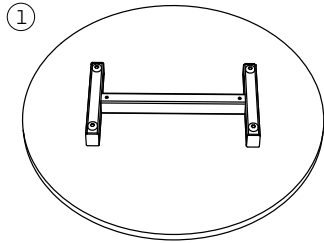
Thoughtful Design **MADE RIGHT**

## INSTRUCTIONS

---

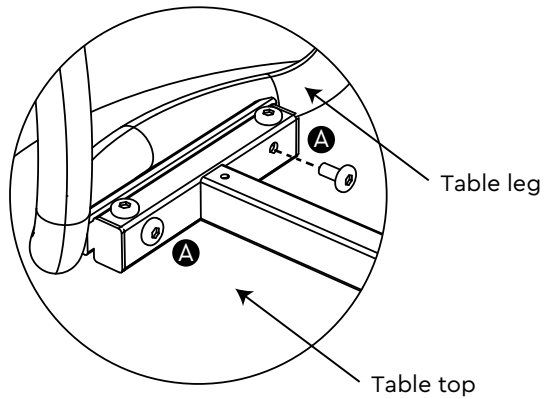
### STEP 1

Lay table top ① upside down on top of provided cardboard box or blanket to protect the surface of the table top while assembling.



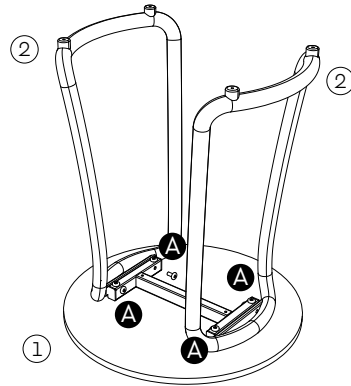
---

### STEP 2 DETAIL



### STEP 2

Align table leg assemblies ② to bottom of table top ① as shown. Using the allen wrench provided, secure table leg assemblies to table top using the 4 bolts (A).



---

### STEP 3

Carefully turn assembled table in an upright position and enjoy!

