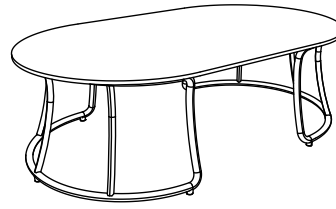


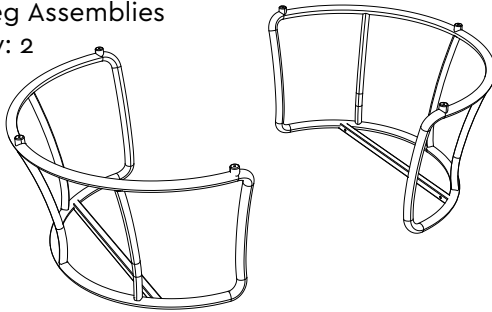
MULTI COFFEE TABLE

ASSEMBLY INSTRUCTIONS

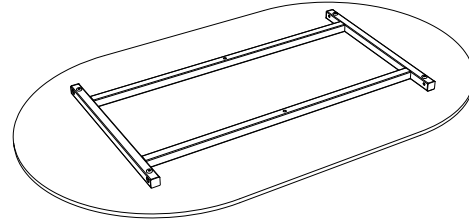


COMPONENTS

- ① Table Leg Assemblies  
Quantity: 2



- ② Table Top Assembly  
Quantity: 1

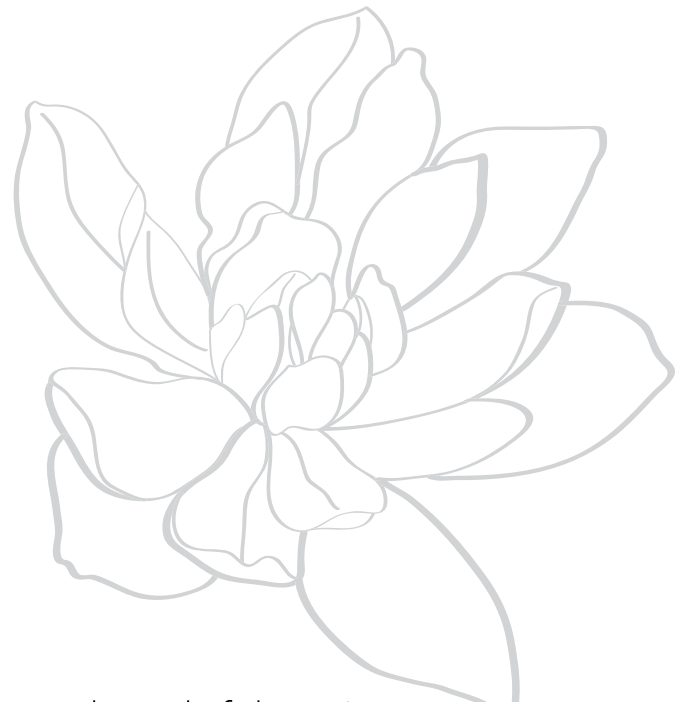
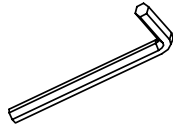


HARDWARE

- A Machine Bolt  
Quantity: 6



- B Allen Wrench  
Quantity: 1



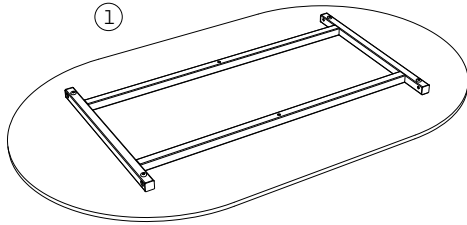
Thoughtful Design **MADE RIGHT**

## INSTRUCTIONS

---

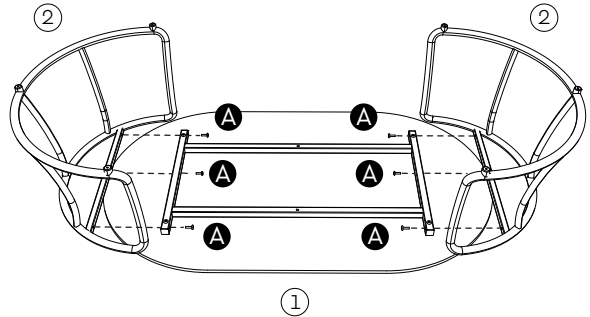
### STEP 1

Lay table top ① upside down on top of provided cardboard box or blanket to protect the surface of the table top while assembling.



### STEP 2

Align table leg assemblies ② to bottom of table top ① as shown. Using the allen wrench provided, secure table leg assemblies to table top using the 6 bolts ③.



### STEP 3

Carefully turn assembled table in an upright position and enjoy!

