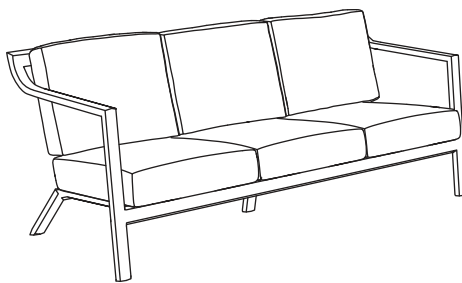


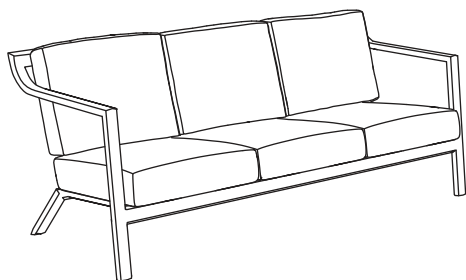
MARKOE SOFA

ASSEMBLY INSTRUCTIONS



COMPONENTS

- ① Sofa Frame Assembly
Quantity: 1



- ② Center Support Leg
Quantity: 1



HARDWARE

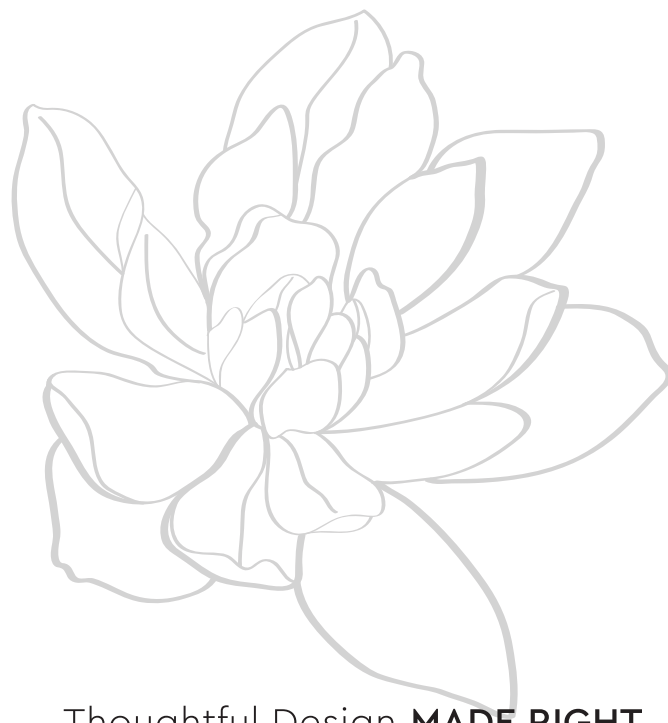
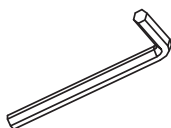
- A Short Bolts
Quantity: 4



- B Washers
Quantity: 4



- C Allen Wrench
Quantity: 1

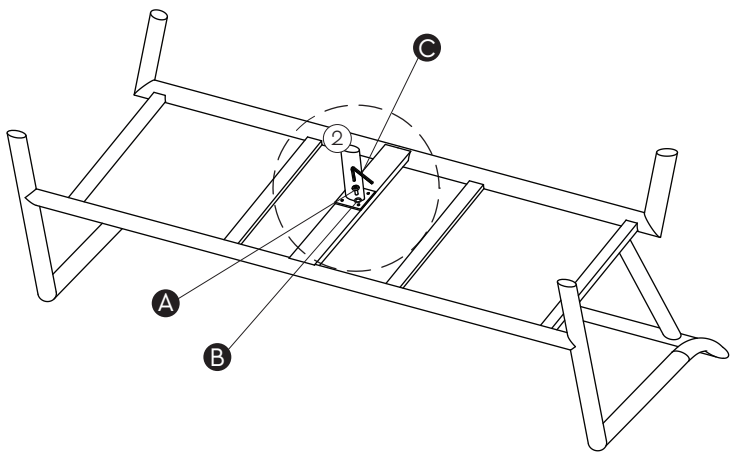


Thoughtful Design **MADE RIGHT**

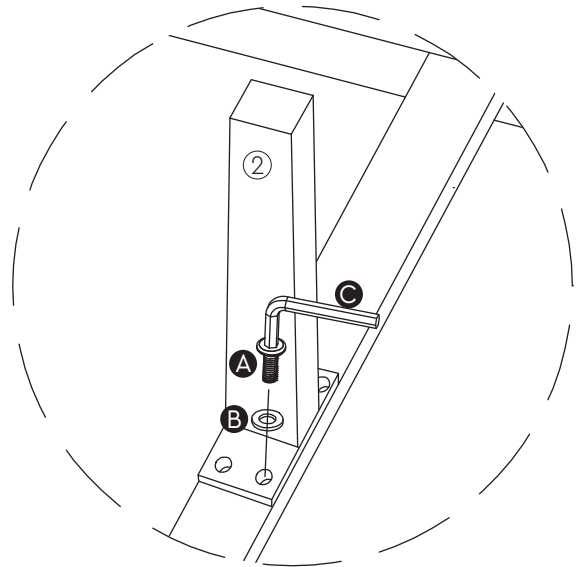
INSTRUCTIONS

STEP 1:

Attach center support leg ② to assembly with 4 washers C and short bolts B. Tighten all bolts on base assembly.



STEP 1 (detail):



STEP 2:

Carefully turn assembled sofa in an upright position.

