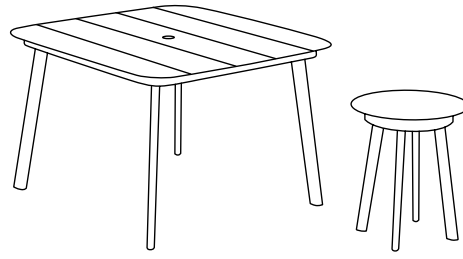
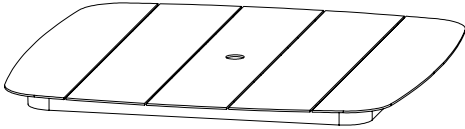


EILAND DINING & OCCASIONAL TABLES
ASSEMBLY INSTRUCTIONS

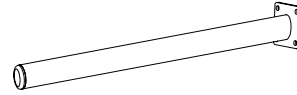


COMPONENTS

- ① Table Top Assembly
Quantity: 1



- ② Table Leg
Quantity: 4



HARDWARE

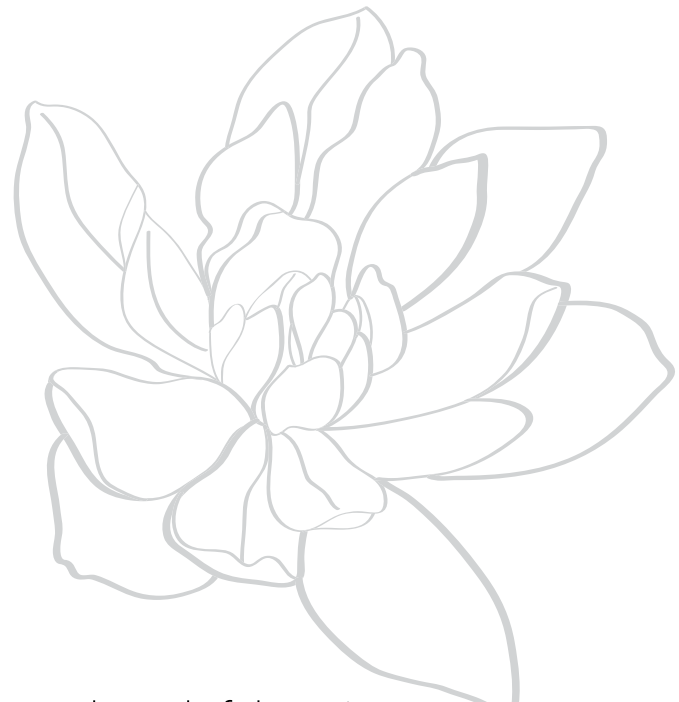
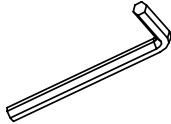
- Ⓐ Machine Bolt
Quantity: 16



- Ⓑ Metal Washer
Quantity: 16



- Ⓒ Allen Wrench
Quantity: 1

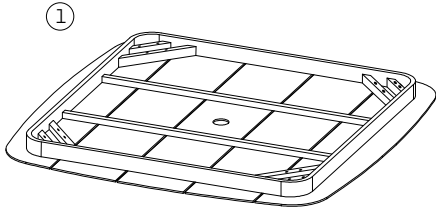


Thoughtful Design **MADE RIGHT**

INSTRUCTIONS

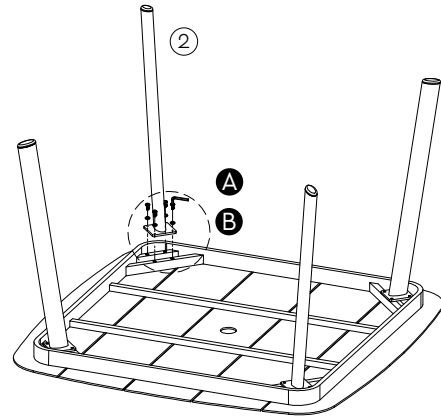
STEP 1

Lay table top ① upside down on top of provided cardboard box or blanket to protect the surface of the table top while assembling.

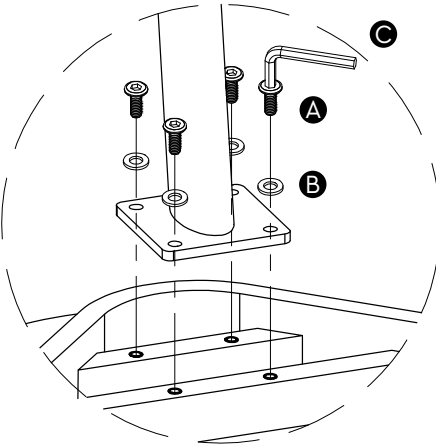


STEP 2

Using the allen wrench provided, secure table leg ② to table top using metal washers B and bolts A. Repeat for the remaining 3 legs.



STEP 2 (detail)



STEP 3

Carefully turn assembled table in an upright position.

