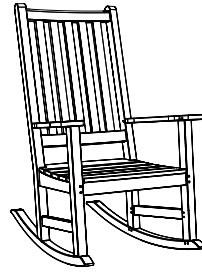
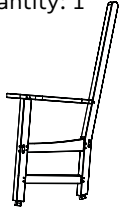


CLASSIC ROCKER  
ASSEMBLY INSTRUCTIONS

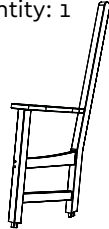


**COMPONENTS**

- ① Right Arm Assembly  
Quantity: 1



- ② Left Arm Assembly  
Quantity: 1



- ③ Right Rocker  
Quantity: 1



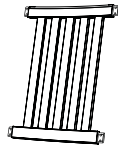
- ④ Left Rocker  
Quantity: 1



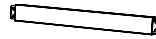
- ⑤ Seat  
Quantity: 1



- ⑥ Back  
Quantity: 1



- ⑦ Front Seat Rail  
Quantity: 1



- ⑧ Back Seat Rail  
Quantity: 1



**HARDWARE**

- A Dowels  
Quantity: 28



- B Wood Screws  
Quantity: 4



- C Wood Glue  
Quantity: 1



- D Wood Glue  
Brush  
Quantity: 1



**FINISHING ITEMS**

Medium Grit Sandpaper.

NOTE: A hammer (not provided) will be needed for the assembly of this bar chair.

NOTE: If the furniture is going to be placed on a concrete or tile patio, it should first be rinsed well to remove the sawdust that may cause some staining.

GLUING INSTRUCTIONS: Correct assembly of this chair requires glue to be applied to the final assembly joints using the supplied glue. To properly glue these joints follow the directions below:

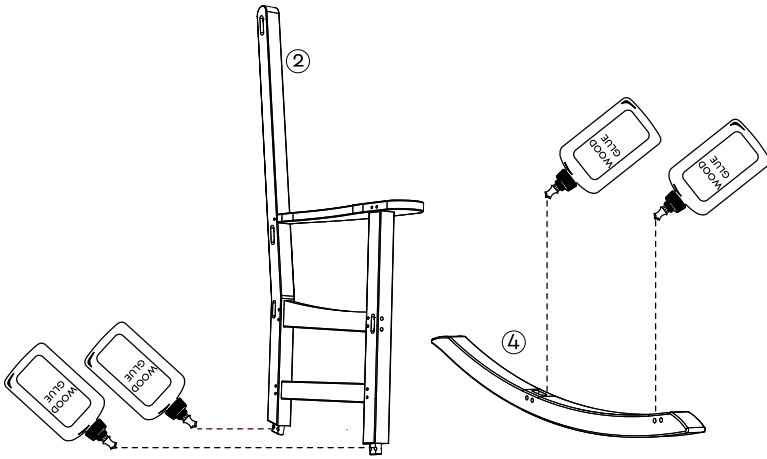
- a. Lay the assembly part flat and apply a liberal amount of glue into the mortise using the brush and glue supplied. Use the brush to make sure the glue is thick on the inside walls of the mortise.
- b. Apply a liberal amount of glue to the complete tenon using the brush to make sure the glue has contact with the entire tenon.
- c. Assemble the parts as instructed in the instruction steps. After assembling the glued parts, use a damp cloth or sponge to clean up any excess glue from the outer surface of the furniture.

Thoughtful Design **MADE RIGHT**

## INSTRUCTIONS

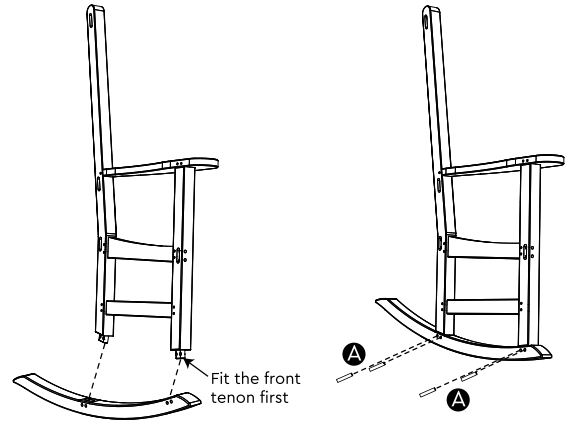
### STEP 1 \* Apply glue in this step. (See pg.1 for instruction.)

Apply wood glue provided and attach the left rocker ④ to the left arm assembly ②.



### STEP 2

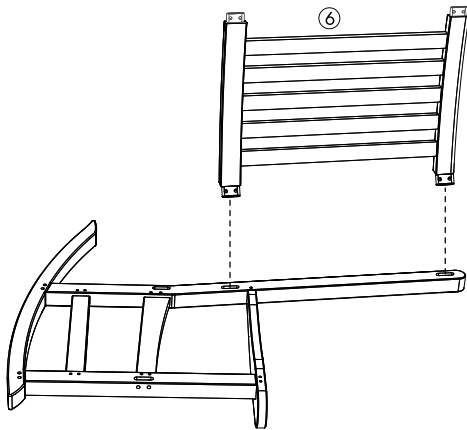
Attach the rocker by fitting the front tenon first and then the back. Secure it by hammering two dowels (A) into each joint. After the glue has set for at least 30 minutes but before it hardens, clean the excess glue from the joint with a clean cloth or knife.



### STEP 3

On a clean flat surface, lay left arm assembly flat on the ground. With mortise holes facing up, insert back assembly ⑥ into arm assembly.

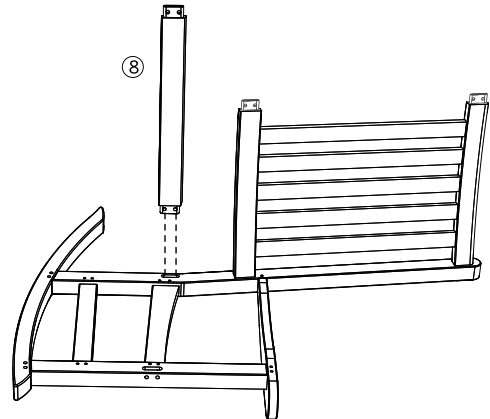
NOTE: The top of the back is marked and should be placed at the top of the chair.



### STEP 4

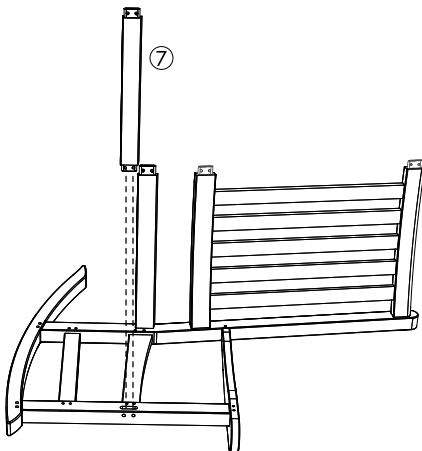
Insert the back seat rail ⑧ into arm assembly.

NOTE: The back rail is shorter than the front rail. The tenons of both rails are angled. Position the rails so that the tenons point to the back of the rocker.



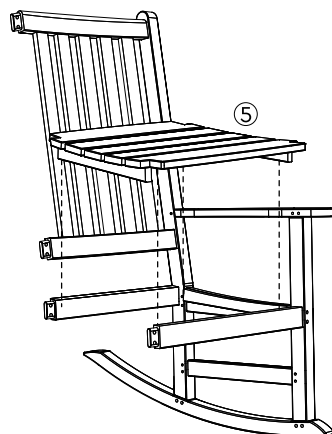
### STEP 5

Insert front seat rail ⑦ into arm assembly.



### STEP 6

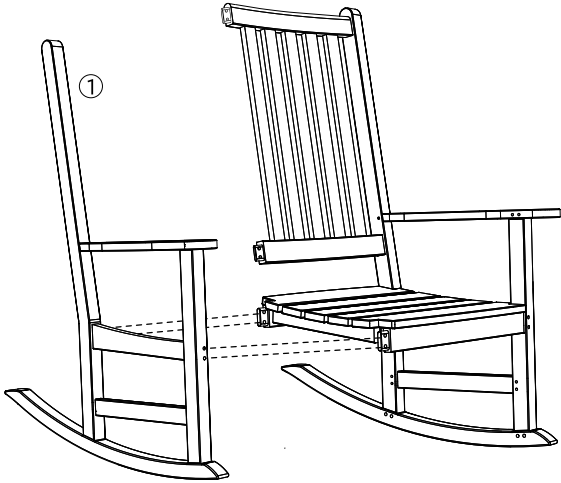
Put seat assembly ⑤ into place, keeping the leg notches to the front of the chair, and the rounded arch to the back.



# INSTRUCTIONS

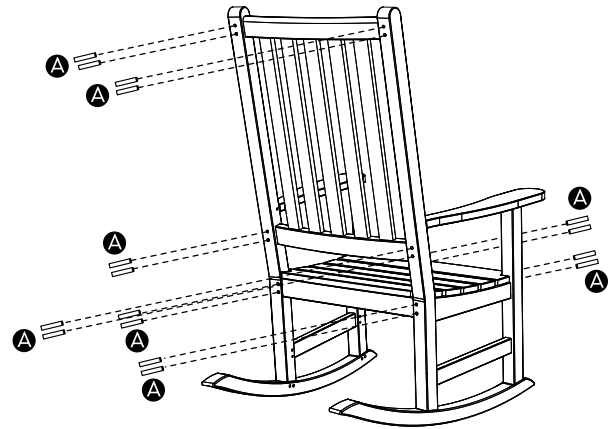
## STEP 7

Repeat Steps 1 and 2 for the right arm ① and then attach the right arm assembly to the rest of the assembled parts.

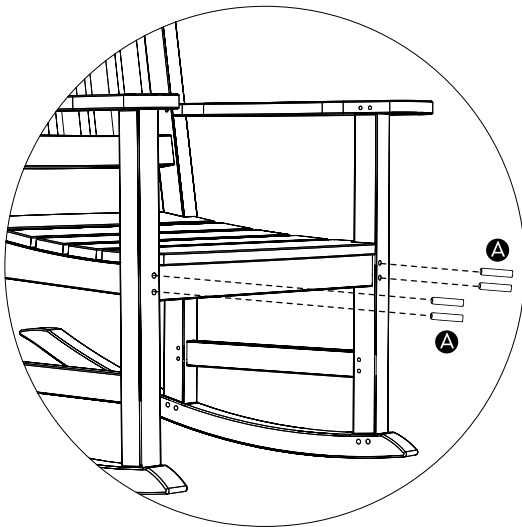


## STEP 8

Drive 16 wood dowels (A) into place, with the tapered end first.

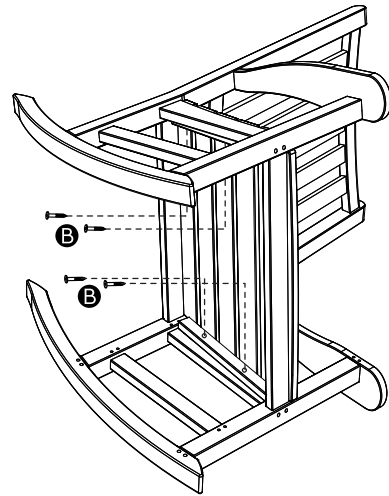


## STEP 8 (front view detail)



## STEP 9

Secure seat with 4 wood screws (B).



## STEP 9 (detail)

Repeat Step 9 for both the left and right side.

