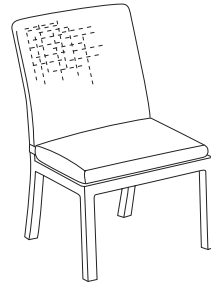


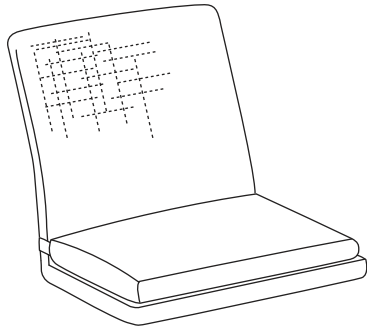
ARGENTO SIDE CHAIR

ASSEMBLY INSTRUCTIONS

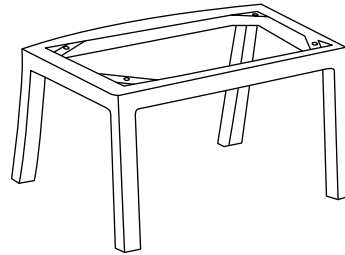


COMPONENTS

① Seat Assembly



② Leg Assembly



HARDWARE

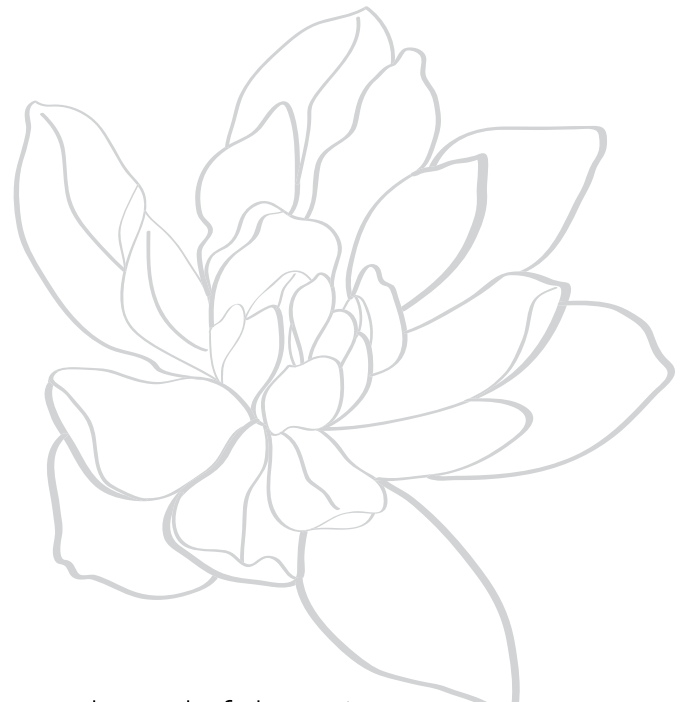
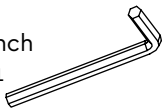
- Ⓐ Short Machine Bolt
Quantity: 4



- Ⓑ Flat Washer
Quantity: 4



- Ⓒ Allen Wrench
Quantity: 1



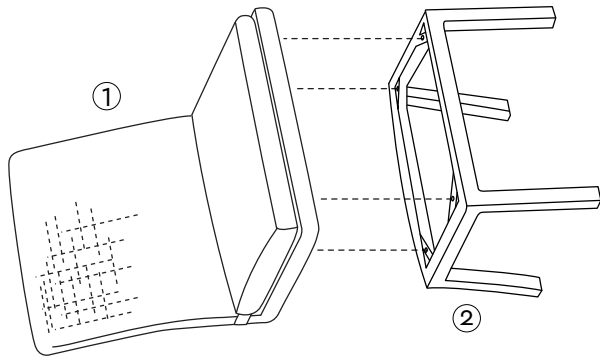
Thoughtful Design **MADE RIGHT**

INSTRUCTIONS

STEP 1

Place Seat Assembly ① onto its' side. Line up Leg Assembly ② to the pre drilled holes on the seat assembly as shown.

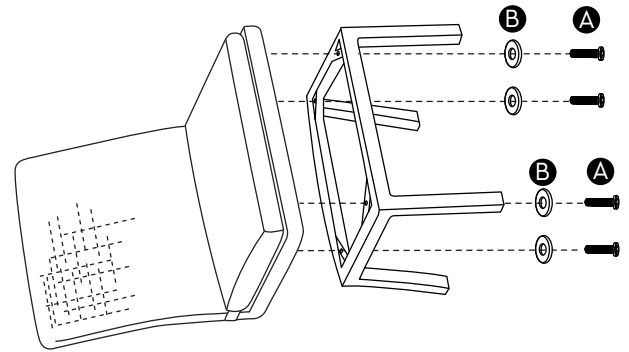
Note: Curved part of leg assembly lines up with the back of the chair.



STEP 2

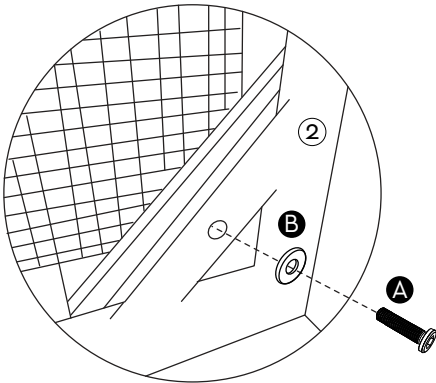
Next, hand thread the bolts A into the pre drilled holes on all four sides, placing the washers first B.

NOTE: Do not tighten in this step.



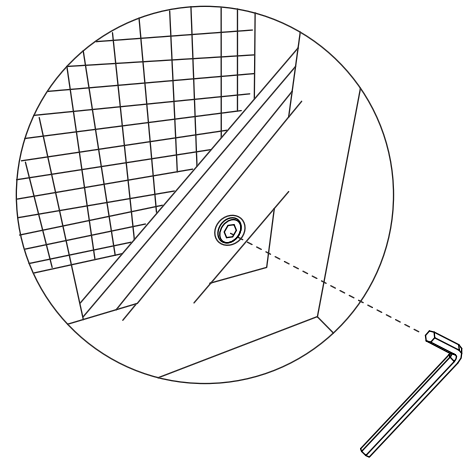
Step 2 Detail

Underside view



Step 3

Tighten all four bolts with the allen wrench provided.



STEP 4

Turn upright and enjoy!

